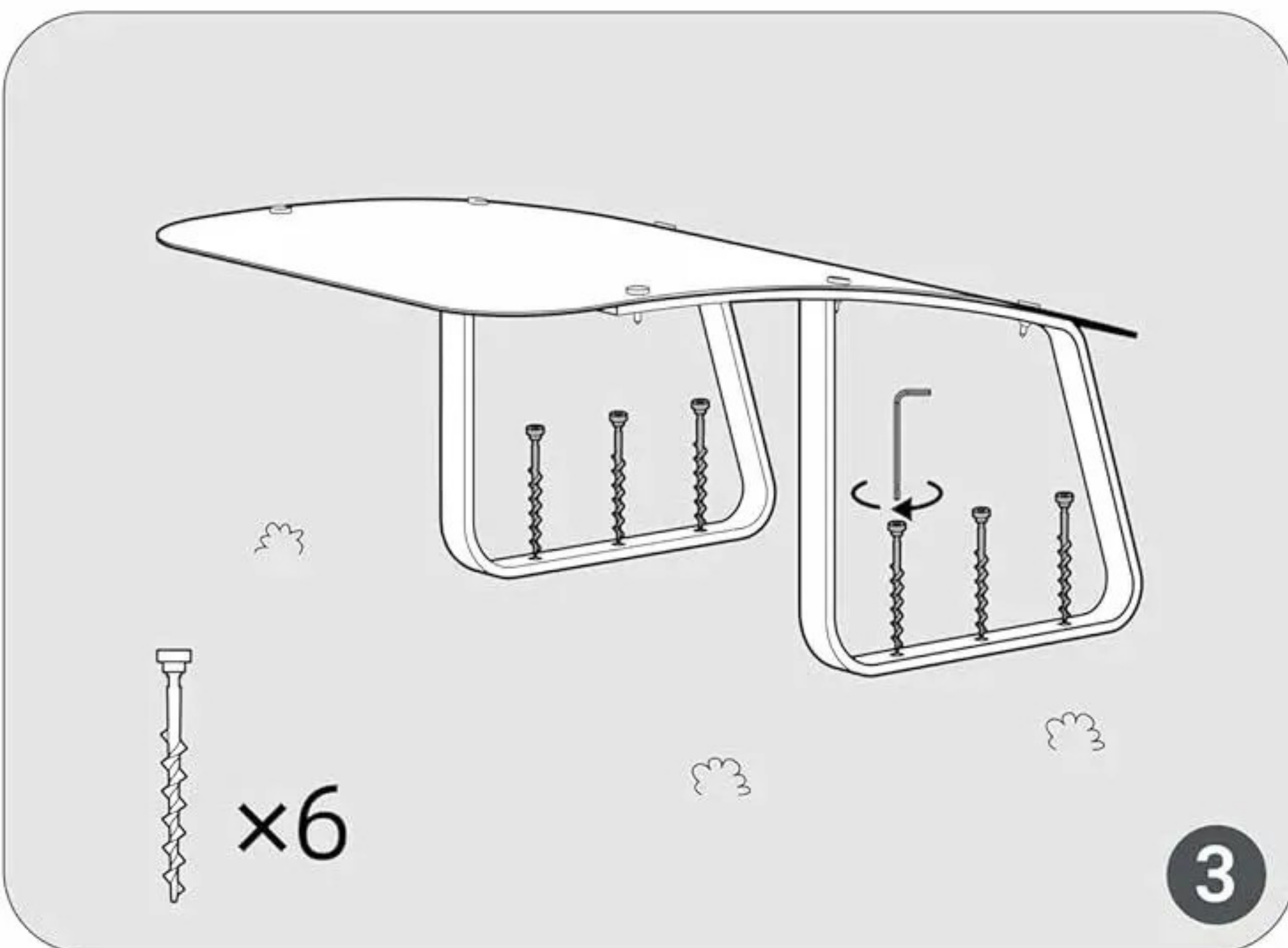
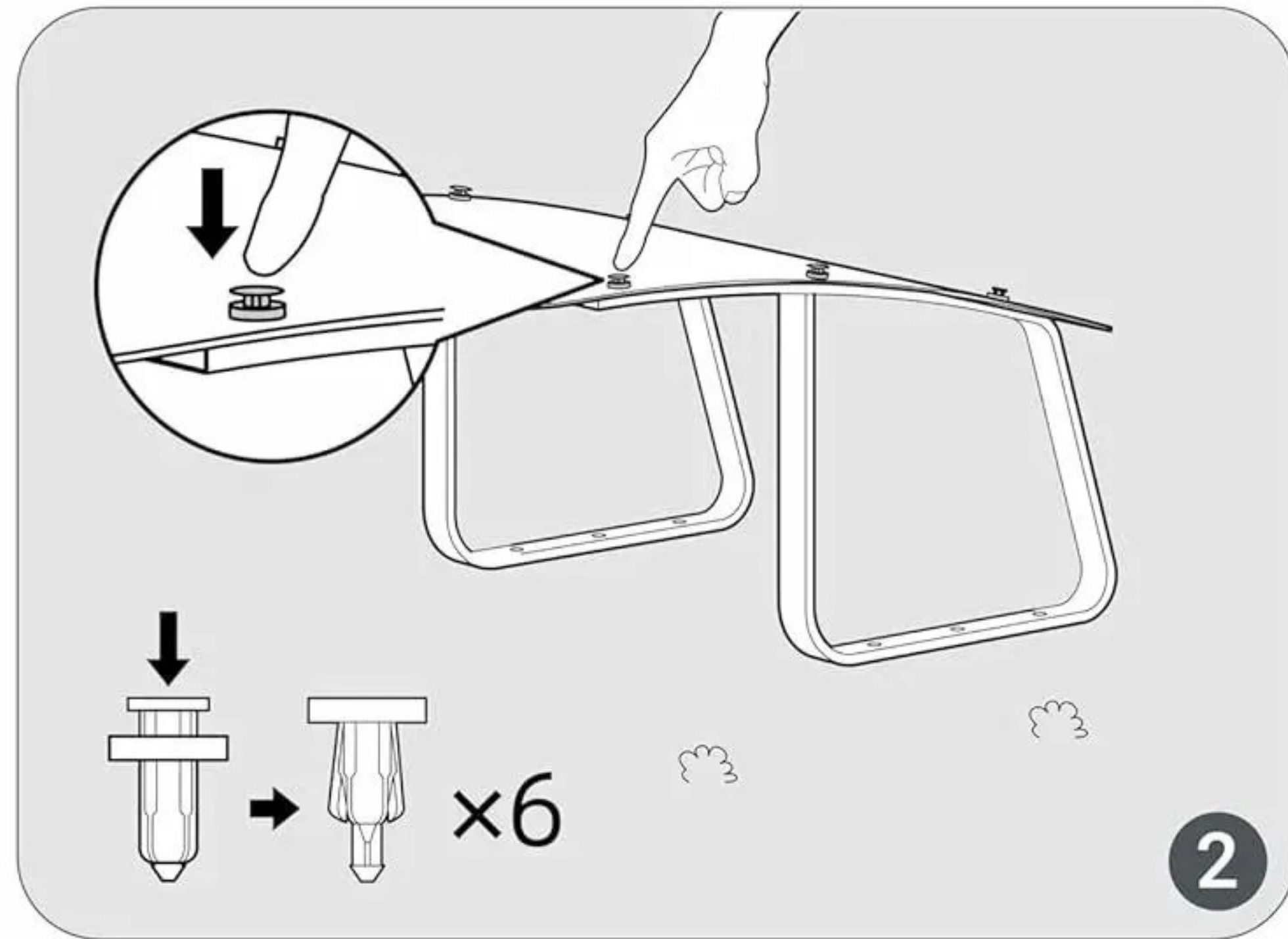
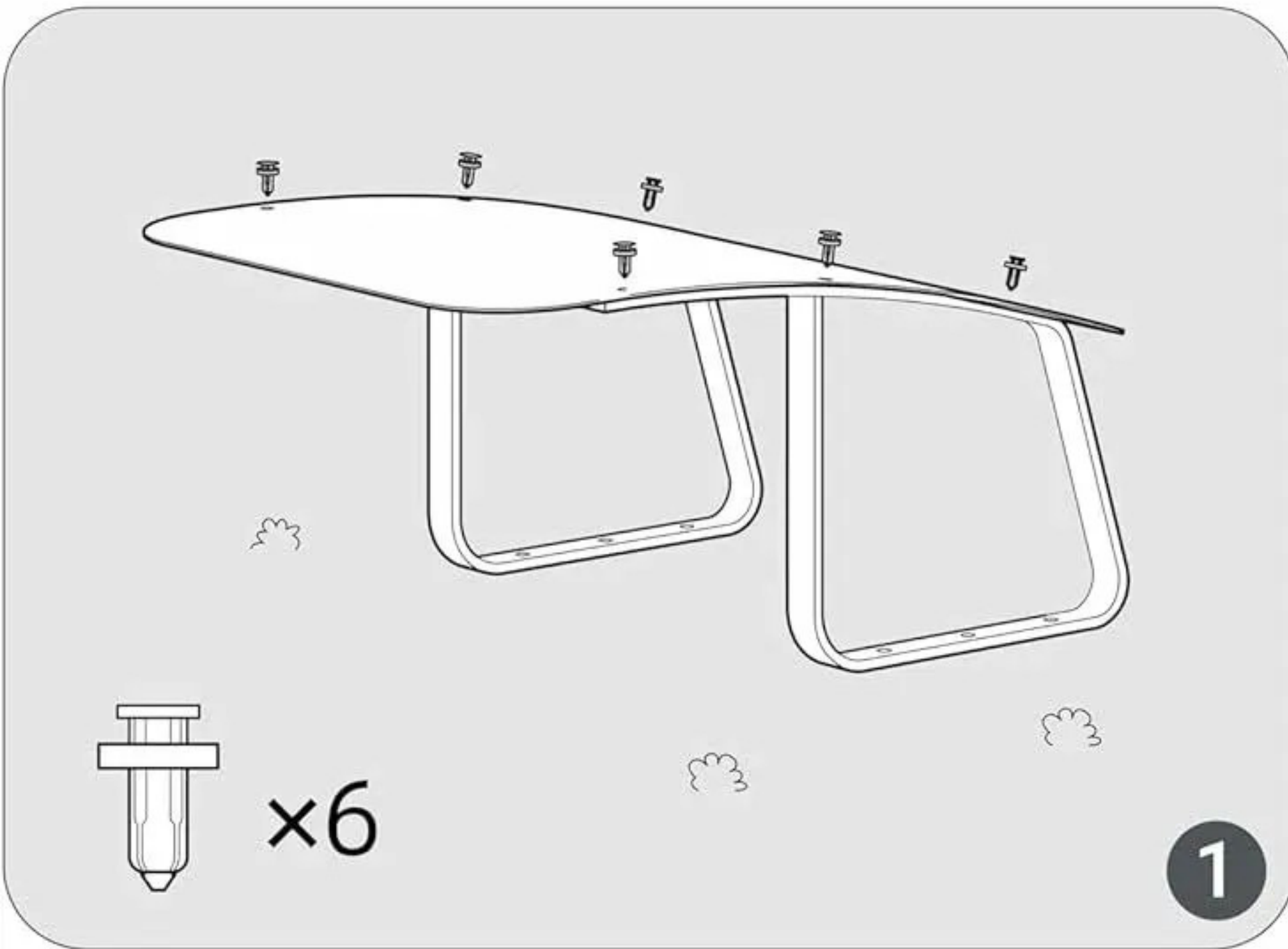


# Installation Guide



1. Align the six holes in the garage roof with the holes on the longer sides of the support frames.

2. Insert the quick-release fasteners into the aligned holes. Press each fastener's head to lock it securely.

3. Position the garage in your desired location.

4. Secure the garage to the ground using six screws and a hex key.